



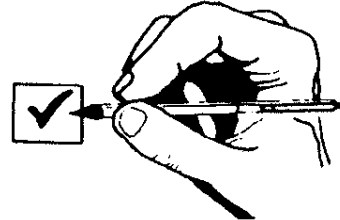
ASSEMBLY INSTRUCTIONS  
FOR ITEM NO. 11139

# TWIN TWISTERS

## THE SIX-IN-ONE SPEEDWAY

### BEFORE YOU BEGIN ... CHECK THE PARTS LIST

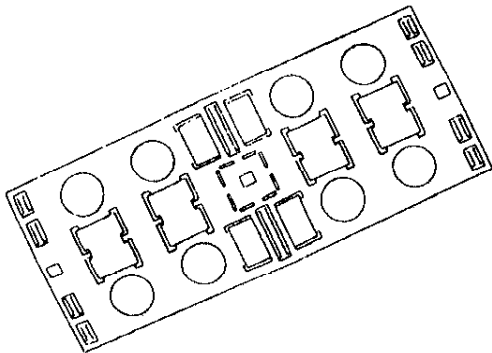
1. Unpack the parts. Save the packing materials
2. Match the parts to the drawings below.
3. If you have each part, put a check in the box next to the corresponding drawing. Look in the carton again and check all of the packing materials to make sure you haven't missed anything.



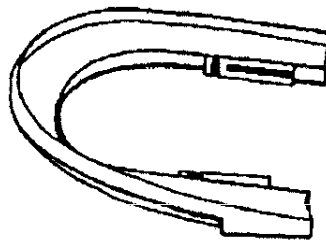
## PARTS LIST



1 DARDA  
ULTRA-SPEED CAR



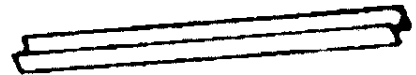
2 BASE UNITS



2 FLEXI-CURVES



2 41" FLEX TRACKS



3 BARS

### IF A PART IS MISSING OR DAMAGED ...

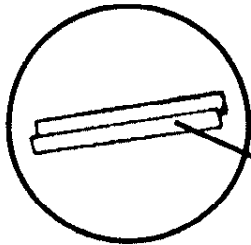
The store where you purchased this item does not have parts. You will get the easiest service from **Darda, Inc. USA**. Tell us the part(s) needed and be sure to include your name and address printed clearly. Mail to: **DARDA, INC. USA/ 1600 Union Avenue/ Baltimore, MD 21211/ ATTN: Dock 2**

### STEP 1: BUILD THE PRIMARY LAYOUT

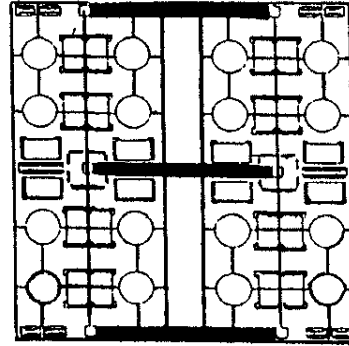
Connect the baseplates with the green bars as shown in Fig. 1 below, but only slide the bars halfway into the slots. Next, attach the flexi-curves to the two base units as shown, and finally attach the flexi-track onto the base units and loop the two pieces between the flexi-curves.

**Fig. 1**

Slide the bars, flat side up, halfway into the slots on the edges of the base units.



Flat Side



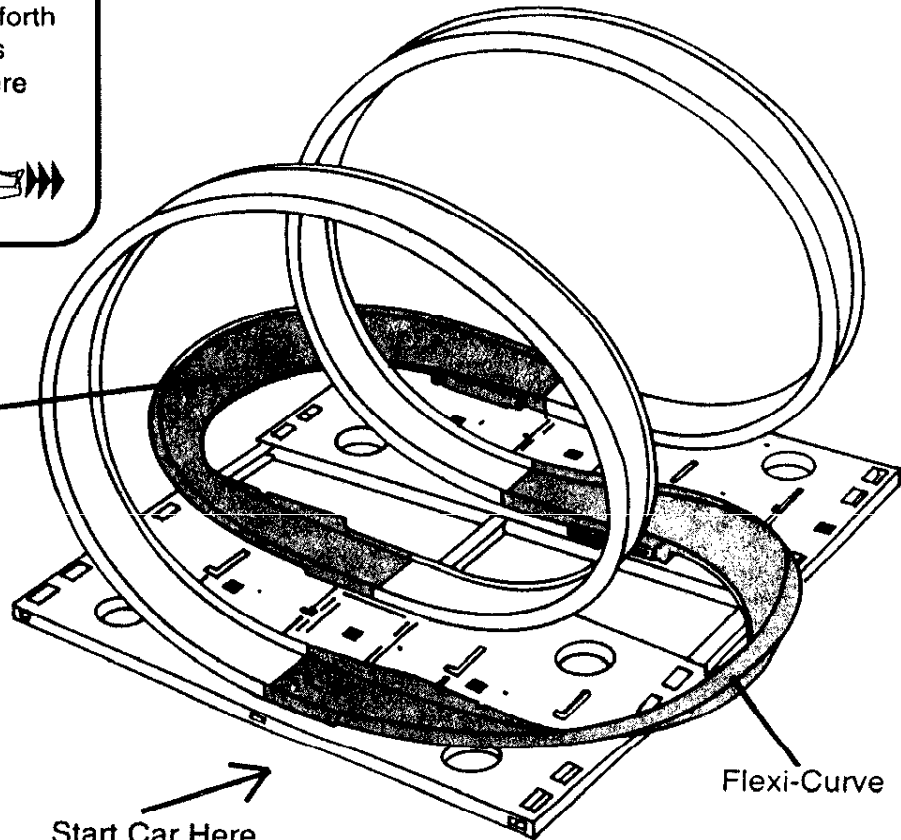
(Underside of base units shown)

### WINDING THE DARDA CAR:

Wind your Darda car by pressing down and rolling back and forth until the clicking sound gets louder. Place on track where indicated.



Flexi-Curve



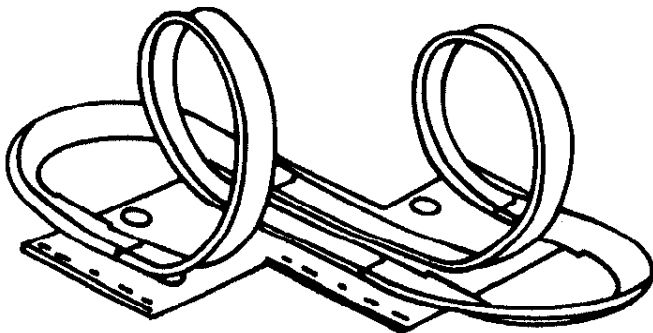
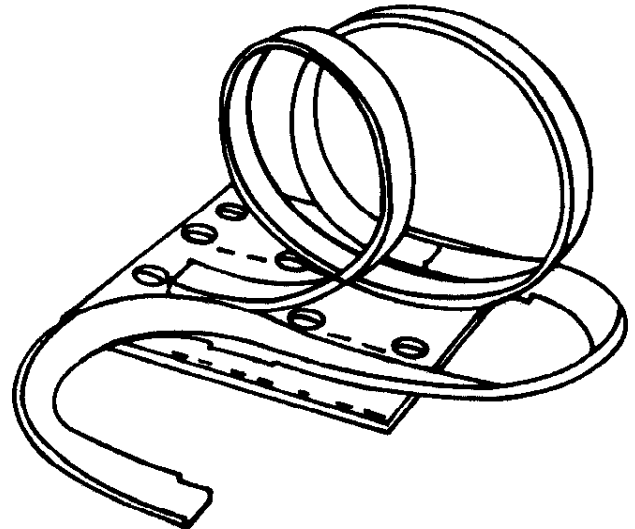
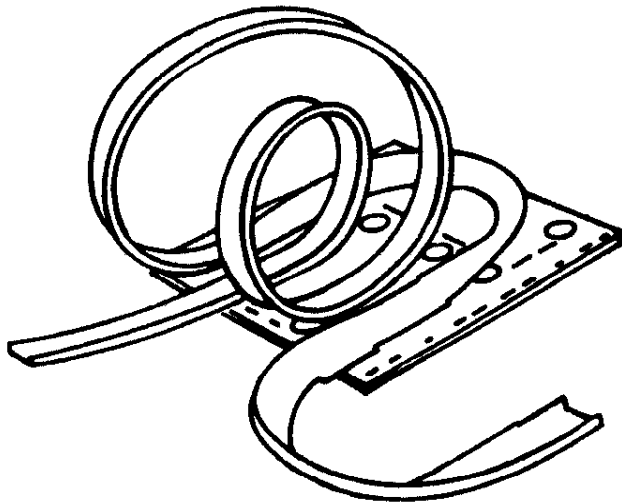
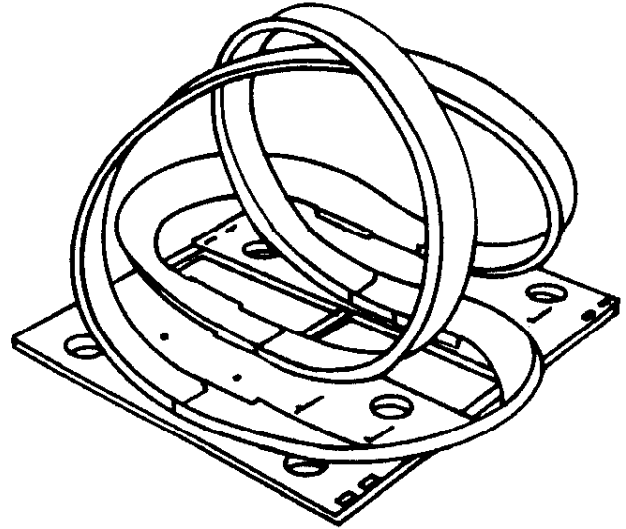
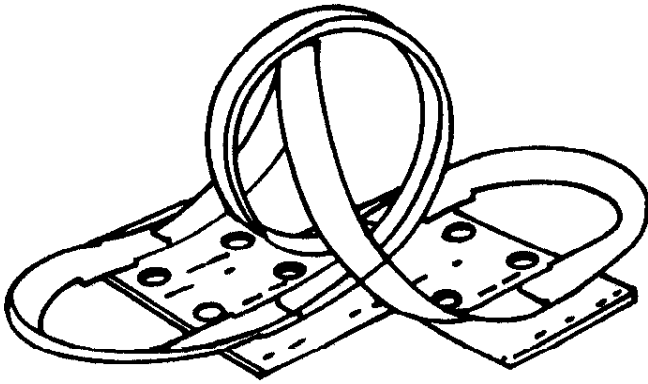
Flexi-Curve

Start Car Here  
Heading into the  
Flexi-Curve

**YOU CAN BUILD OTHER LAYOUTS, TOO!**

All Darda track sets are very versatile, and you can build many track layouts from the parts. Here are five other raceways you can make with the parts in your **Twin Twisters** set. After that ...

**USE YOUR IMAGINATION!**



## MAINTAINING YOUR DARDA CAR

1. Frequently wipe any dust off the track and the rear wheels of the car. This improves the traction.
2. Darda cars operate best on the specially designed Darda track. The motor is so fast that the car may "spin out" on tile floors, tables and smooth surfaces.
3. Do not run the car directly on shag or high pile carpet as this may jam the motor.
4. Replacement motors are available at your local toy specialty store, or see the address for Darda, Inc. USA on the parts list, page one.



## PROBLEMS?

Double check your assembly instructions.

If something is still wrong,  
call our toll-free consumer hotline at

**1-800-638-1470**

Monday through Friday

9:00 a.m. to 3:30 p.m. Eastern Standard Time

**WE WANT TO HELP!**